

AWATRON[®] 2

AW-M310

Simultaneous process “2-part fluid mixing and bubbles removing” by the rotation / revolution method

Not only a compact body but also a large capacity. High-performance for various industries: the electronics industry, medical care, university and more.

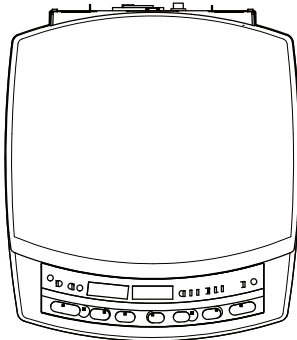
- Speedy and available for any kinds of material. Gets your works more efficient and productive.
- Compact body
- Durable and solid rotors, axes and frames built in. High safety through the vibration sensor and the “lock” function of the lid.
- By adjusting the rotation/revolution speed, improves the completion quality of the each material and gets available for a wide kind range of materials.
- The timer with 5 memories equipped. Each memory available for operations of 5 processes in a row at most.



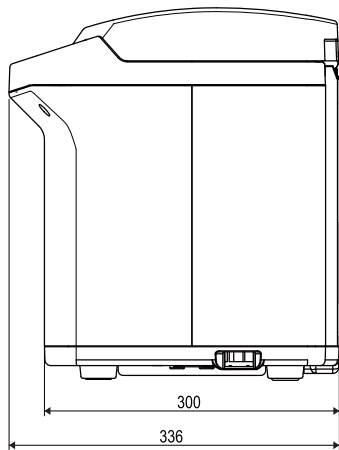
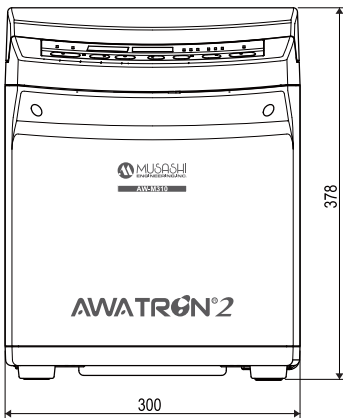
The integration of a 2-part fluid mixer and a bubbles remover with the rotation / revolution method

AWATRON[®] 2 AW-M310

Easy-setting with
Wide opening



AW-M310 operation panel



The attached containers and adapter (on the right side)

<details> 300 ml container 3
150 ml container 1
150 ml container-adapter 1

Specifications of [AWATRON²] AW-M310 : the integration of a 2-part fluid mixer and a bubbles remover with the rotation / revolution method with the function controlling the engine speed

Item number	AW-M310	Attached container	300 ml, PE 150 ml, PE	Operating environment	10 to 35°C 35 to 85%RH (No dew condensation)
Item name	The intergration of a 2-part fluid mixer and a bubbles remover「AWATRON ² 」	Maximum mixing capacity	250 ml, 250 g (Net weight)	External dimensions	H378×W300×D336 (mm)
Method	Rotation/Revolution method	Memory function	5 memories (5 consecutive operations available for each memory)	Weight	Approx. 18 kg
Timer range	0 sec. to 30 mins.	Security function	Door sensor, Vibration sensor, Rotation/Revolution sensor		
Revolution speed	Mixing mode / Max. 2,000 rpm STD mode: Fixed at 2,000rpm STEP mode: 0 rpm, 200 to 2,000 rpm Removing mode / Max. 2,200 rpm STD mode: Fixed at 2,200rpm STEP mode: 0 rpm, 400 to 2,200 rpm	Power supply	100 V AC ±10% 50/60 Hz Power consumption / Stand by: Approx. 50 VA Working: Max. 900 VA North-America, Asia, CE specification available		
Rotation speed	Mixing mode / Max. 800 rpm (For the revolution speed, follow as the rate of 2.5:1) Removing mode / Max. 60 rpm (For the revolution speed, follow as the rate of 36.7:1)				

Various kinds of adapter (optional)



* Adapters in the photo are examples.
For optional syringe adaptors, 3 ml, 5 ml, 10 ml, 30 ml, 50 ml available.
* We take orders of custom-made. For further inquiries, please contact us.

- The specifications and the appearance of the system are subject to change without notice.
- Depending on the kind of mixed materials, the mixing and bubbles removing might be insufficient.
- Please do not use with the explosive or harmful materials.
- Depending on mixed materials, the temperature of materials might rise sharply during the mixing.

Safety precaution
Make sure to read the instruction manual before you use the unit, for your safety.

*The specifications of the system may change without notice.
*All copyrights are retained by MUSASHI ENGINEERING. Reprinting, reproducing, and/or transmitting as electronic data in whole or in part these material without prior written permission is strictly prohibited.



MUSASHI ENGINEERING, INC. is certified and registered according to ISO14001 ENVIRONMENTAL MANAGEMENT.



<http://www.musashi-engineering.co.jp/>

世界のディスペンサー
武蔵エンジニアリング株式会社
MUSASHI ENGINEERING, INC.

HEAD OFFICE
8-7-4, Shimorenjaku, Mitaka-shi, Tokyo, 181-0013, Japan
TEL : (81) 422-76-7111 / FAX : (81) 422-76-7122

BRANCH
TOKYO, OSAKA, NAGOYA, SENDAI, FUKUOKA, SAITAMA, NAGANO, EAST-KANTO, AKITA

MUSASHI ENGINEERING HONG KONG LTD.
Unit 1915, 19/F., Seapower Tower, (North) Concordia Plaza, No.1 Science Museum Road, T.S.T. East, Kowloon, Hong Kong
TEL : (852) 2620 5799 / FAX : (852) 2620 5771

SHANGHAI BRANCH
8-1503, Hi-Shanghai, No. 950 Dalian Road, Yangpu, Shanghai, China
TEL : (86) 21 5128 7880 / FAX : (86) 21 5128 7870

SHENZHEN BRANCH
Block A, 42/F., Room A4212, United Plaza, Shenzhen City Centre, Junction of Binhe Road North and Caitian East, P.R. CHINA
TEL : (86) 755 6130 7130 / FAX : (86) 755 6130 7133

MUSASHI ENGINEERING KOREA, LTD.
Rm 906-1, A-dong, Bundang Techno-Park, 150 Yatap-dong, Bundang-gu, Seongnam-si, Gyeonggi-do 463-816, Korea
TEL : (82) 31-702-3811 / FAX : (82) 31-702-3881

TAIWAN BRANCH
8F-2, No. 158, Sec. 2, Gongdao 5th Road, Hsinchu, Taiwan 30070
TEL : (886) 3-572-9200 / FAX : (886) 3-572-9300

SINGAPORE BRANCH
101 Thomson Road #27-03A United Square Singapore 307591
TEL : (65) 6258-2422 / FAX : (65) 6258-4844