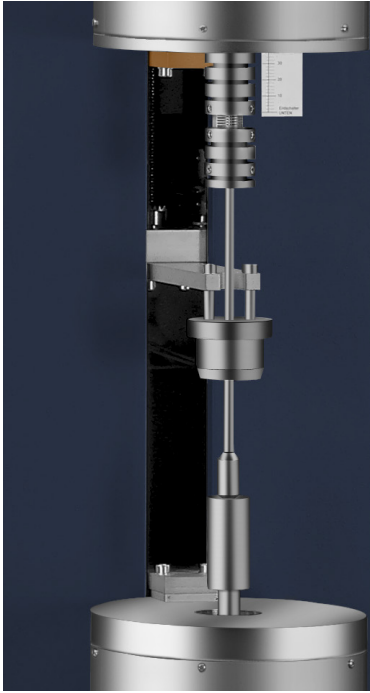


VIS 403 Rotational Viscometer



The high temperature viscometer, VIS403, measures the dynamic viscosity of materials with Newtonian behavior such as glasses, slags or mold powder. The instrument operates by measuring the shear stress and shear rate of a rotating bob immersed in a fluid filled cup under controlled temperature. Two different bob and cup configurations are available based on the viscosity of the test fluid. Tests may be conducted in controlled stress or controlled rate conditions,

VIS 403 TECHNICAL SPECIFICATIONS

Viscosity η	10 - 10 ⁸ dPa s
Temperature Range	20°C to 1700°C
Temperature Resolution	0.1°C
Sample Volume	13.8 or 9.2 cm ³
Rotor Diameter	9 or 19 mm
Measuring System Material	Pt/Rh 30%, FKS16Pt
Torque Range	0.1 to 50 mN m
Torque Resolution	2 E-4 mN m
Torque Accuracy	±1%
Angular Velocity	max. 80 rad/s
Angular Velocity Resolution	1 E-4 rad/s
Atmosphere	air, inert gas



- High Temperature Viscometer
- 20 °C to 1700 °C
- Convenient, Concentric Cylinder Measuring Geometry
- Ideal for Glasses, Slags, and Mold Powders