

Ultra low temperature freezers

Series UF V

Page 6

Options and Accessories

Page 9

The spotlight is on environmentally-friendly design in the new BINDER ultra low temperature freezer. This applies particularly to the best energy efficiency in its class and the lack of refrigerants that are harmful to the climate. A multi-layered safety concept allows users to mix and match elements to suit any environment. With practical unit sizes appropriate, sophisticated options and practical accessories, users have everything they need for reliable long-term storage of highly sensitive samples.

ADVANTAGES AT A GLANCE



EXEMPLARY ENVIRONMENTAL FRIENDLINESS

Series UFV

Demonstrated by state-of-the-art cooling technology that uses climate-neutral refrigerants, plus minimum energy consumption thanks to large vacuum-based thermal insulation.



CONVENIENT DOOR OPERATION

Series UFV

The door can be opened manually using an ergonomic door latch handle or at the touch of a button using an electromechanical door locking mechanism. Electronic access control is available via the NumPad option.



MINIMUM BUILDUP OF ICE

Series UFV

The innovative door gasket concept reduces the tendency for ice to build up on the door frame and, at the same time, makes it easier to remove ice.



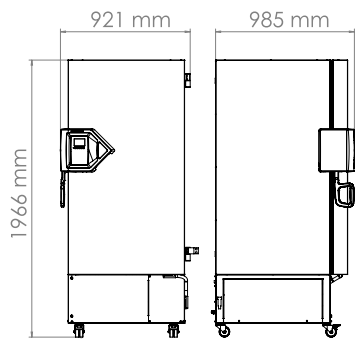
DURABLE QUALITY

Series UFV

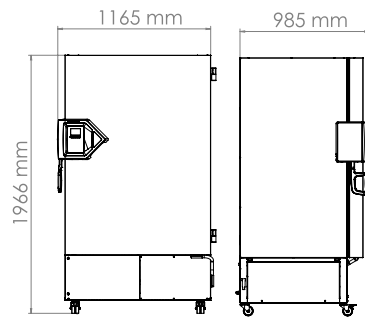
The inner chamber, shelves, and inner doors are made entirely from stainless steel.

DIMENSIONS incl. fittings and connections [mm]

UFV 500



UFV 700



EXCERPT FROM OPTIONS AND ACCESSORIES

Foam-filled compartment doors with gasket

Ideal for applications where doors are opened frequently.
Series UFV

Door access system

Consisting of electromechanical door locking mechanism and electronic access control via NumPad.
Series UFV

Alarm system

Battery-backed system for maintaining temperature display, visual and audible alarm messages, and data communication.
Series UFV

Chamber racks

Large selection of racks made of aluminum or stainless steel, as well as cryoboxes.
Series UFV

Services

You can access our installation, maintenance, calibration, validation, or warranty services by taking out a Maintenance Service Agreement or by simply getting in touch when you need us. More information is available in the accessories and services chapter.
Series UFV

BINDER INDIVIDUAL

Using a BINDER series production product as a basis, we develop individual solutions as a single unit or in small batches. All products are tested, certified, and supplied with a full functional guarantee and warranty. More information is available in the accessories and services chapter.
Series UFV

► All extras online go2binder.com/en-options



Foam-filled compartment doors with gasket



Door access system



Alarm system



Selection of racks and boxes

