

Pasca/Maxx



DIFFERENTIAL PRESSURE MEASUREMENT INSTRUMENT FOR CLEAN ROOMS AND HVAC APPLICATIONS

Product description

The Pasca/Maxx differential pressure measurement instrument has been developed for the monitoring and control of filter systems, ventilators and flap-controls in air conditioning plants as well as room pressure in clean rooms. Thanks to the integrated automatic zero-point calibration system the instrument works with high measurement accuracy and no drift. The big LCD display eases the reading of the actual value and alarm status. The instrument settings are done by the front side buttons through the user menu.

The Pasca/Maxx can be configured for different applications. A robust housing and the optional dust protection filters allow an ideal use in almost all air conditioning sectors. The integrated automatic zero-point calibration makes adjustments unnecessary and thus reduces operation and maintenance costs. Furthermore it allows a mounting irrespective of its position. Along with the analogue output a relay contact is built-in the device, which can be used for an automatic alarm or 2-point control. Thresholds, hysteresis and delay can be set in the device's user menu.

The Pasca/Maxx disposes not only of outstanding measurement features and functions but also of a unique cost efficiency.

Versions :

Pasca/Maxx +/-50 Z : P/N 260 0955

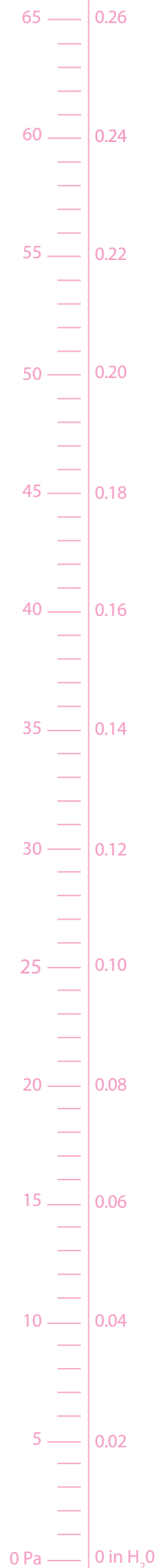
Meas. range : -50...+50 Pa (bidirectional)
Power supply : 24VDC
Signal output : 0/4...20mA, 0/2...10V
Relay : 230V, 2A

Pasca/Maxx 500 Z : P/N 260 0091

Meas. range : 0...500 Pa (unidirectional)
Power supply : 24VDC
Signal output : 0/4...20mA, 0/2...10V
Relay : 230V, 2A

Pasca/Maxx 2000 Z : P/N 260 0083

Meas. range : 0...2000 Pa (unidirectional)
Power supply : 24VDC
Signal output : 0/4...20mA, 0/2...10V
Relay : 230V, 2A



Features

- Unique cost efficiency
- Ergonomic design
- Big, clear LCD display
- Easy calibration features at 2 points
- 2 programmable alarm thresholds for 2-point control
- Intuitive menu structure
- Scalable, analogue output & 1 relay
- Password protection
- Automatic zero-point calibration
- Filter function for display and analogue output
- Integrated dust particle protection filter
- SWISS-MADE Quality

Applications

- Measurement, monitoring and control of clean rooms and air conditioning installations:
- Industrial HVAC (Heating, Ventilation, Air Conditioning) plants for processes
 - Clean Room applications
 - Tunnels and underground mining
 - Air lock systems
 - DDC-, PLC- or discrete control systems
- and many more...

Technical data

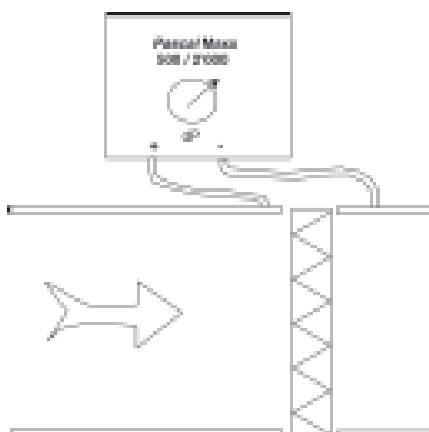
Type	PascalMaxx +/- 50Z	PascaMaxx 500 Z	PascaMaxx 2000 Z
Part no.	260 0955	260 0091	260 0083
Dimensions	110 x 130 x 50 mm	110 x 130 x 50 mm	110 x 130 x 50 mm
Measurement range differential pressure	-50...+50 Pa	0 ... 500 Pa	0 ... 2'000 Pa
Max. resolution	0.1 Pa	0.1 Pa	1 Pa
Accuracy at +20°C over full measurement range	+/- 0.5%	+/- 0.25%	+/- 0.5%
Temperature effect	+/- 2%	+/- 1%	+/- 1%
Differential pressure sensor	Piezo resistive membrane		
Max. permissible overpressure	+/- 25'000 Pa	+/- 25'000 Pa	+/- 50'000 Pa
Operating temperature	0 ... + 50°C		
Long term stability / drift	< 2 Pa / year (automatic zero-point calibration)		
Power supply	19.2 ... 28.8 VDC (In-Out without galvanic isolation)		
Power consumption	max. 2 Watt (in operation)		
Outputs :	Ranges scalable individually		
Analogue output	0 ... 10V / 2 ... 10V / 0 ... 20 mA / 4 ... 20 mA		
Relay output	max 230 VAC - 2A ohmic (adjustable)		
Norm tests :			
Electromagnetic compatibility	EN 61326-1 / EN 61326 A1		
IP-protection	IP 41		
Storage temperature	-10 ... +60 °C (not condensing)		
Measurement medium	dry, not condensing, not aggressive gases		



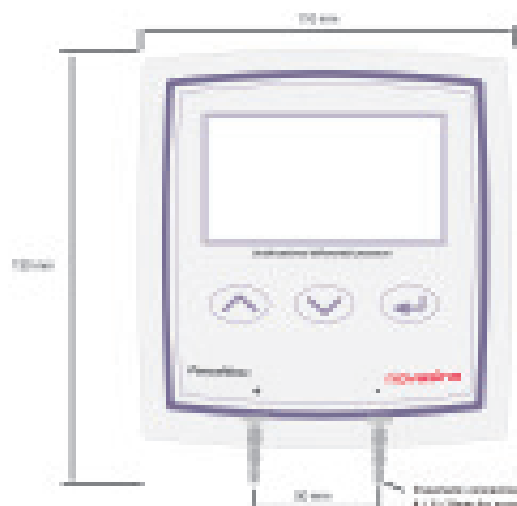
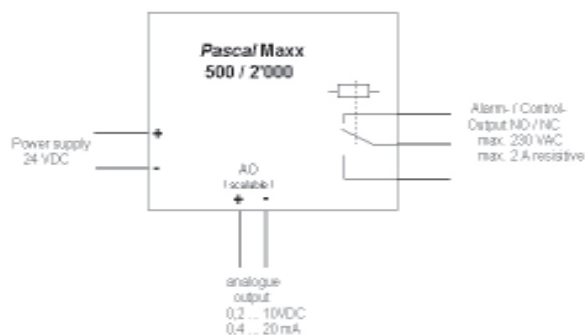
Accessories + Spare parts

	Part no.
External power supply EUR plug 90...260 VAC	252 4210
External power supply US/JP plug 90...260 VAC	252 4211
Spare plug set	260 0096
Protection filter set	260 0097
Factory calibration with certificate	111 7603

Application filter monitoring :



Electrical connection PascalMaxx :



PascalMaxx 50 / 500 / 2000 Z

Subject to change without notice !