



## **CoaxStrip 6580** **Coaxial Cable Stripping Machine**

- Precise and powerful
- Able to strip very thin and tough insulations due to the unique four-blade concept
- Large processing range
- Cable diameter verification
- Barcode scanning function
- S.On software

# STRIPPING

# CoaxStrip 6580

## Concept

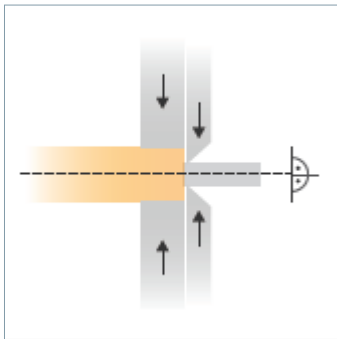
The CoaxStrip 6580 is a fully programmable multi-step stripping machine for coaxial, triaxial, and multi-conductor cable as well as single conductor wire. State-of-the-art electronics, a clear user interface, and precision mechanics guarantee repetitive, unmatched Schleuniger stripping quality. Due to the unique 4-blade concept the machine is able to strip thin, tough, and slightly out-of-round insulations. The incisions of the blades are linear and perpendicular to the cable axis, resulting in a clean and highly precise cut. In addition, the protective cover can be removed without tools, thus facilitating maintenance of the machine.

The CoaxStrip 6580 is ideal for low volume, quick changeover applications as well as high volume production runs, giving the best possible flexibility and productivity to your production methods.

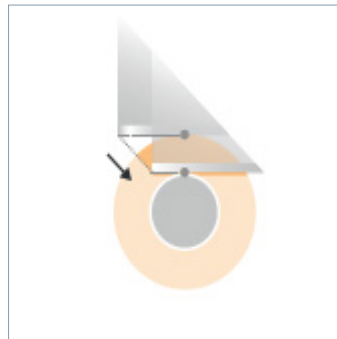
## Programmable Processing Parameters

- Stripping position
- Incising diameter
- Centering jaw diameter
- Incising speed
- Rotational speed of the stripping head
- Rotational direction of the stripping head
- Incising pause
- Pull-off diameter
- Stripping lengths (partial strip or full strip)
- Pull-off speed
- Pull-off with or without rotation of the stripping head
- Freely selectable stripping sequence
- Cable clamping force

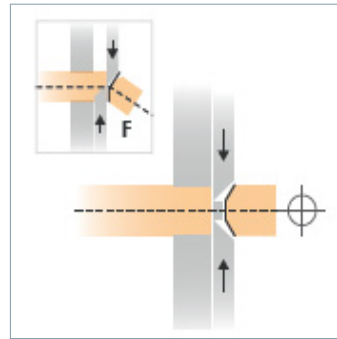
Technology concept > The new innovative concept of the stripping head leads to an increase in stripping quality.



The centering jaws and the blades are programmable for each layer, independently of each other. The blades cut linearly and perpendicularly to the cable axis and are arranged adjacent to the centering jaws.



Depending on the processing diameter, the blades have a different contact point on the blade edge. By using the entire blade edge, the life of the blades is increased.



The blades are arranged in one plane and therefore do not generate any transverse forces during cutting and stripping.



Because of the 4 blades (large contact surface), even thin and strongly adhering insulations can be removed.

Technical Specifications	
Raw Material Diameter	Minimum 1.5 mm (0.059") Maximum 17 mm (0.67")
Diameter Increments	0.01 mm (0.001")
Strip Length	100 mm (3.94")
Stripping Length Increment	0.01 mm (0.001")
Stripping Steps	Maximum 6
Clamping	Motor driven with programmable clamping force
Cycle Time	≥ 5 sec (depending upon cable type and programming)
Production Rate	250 - 550 pcs. / hour (depending upon cable type and programming)
Memory Capacity	1,000 cables
Interfaces	2x USB, 2x Ethernet, 3x SMI (Option)
Noise Level	<70 dB (A)
Power Supply	100-240 VAC, 400 VA, 50/60 Hz
Compressed Air Connection	0.4-0.6 Mpa / 4-6 bar / 60-90 psi, 5-12 l/min
Dimensions (L x W x H)	670 x 200 x 333 mm (26.4 x 7.9 x 13.1")
Weight	28 kg (62 lbs.)
CE – Conformity	The CoaxStrip 6580 fully complies with all CE and EMC equipment guidelines relative to mechanical and electrical safety and electromagnetic compatibility.
Important Note	Schleuniger recommends that wire samples be submitted in cases where there is doubt as to the processing capabilities of a particular machine.